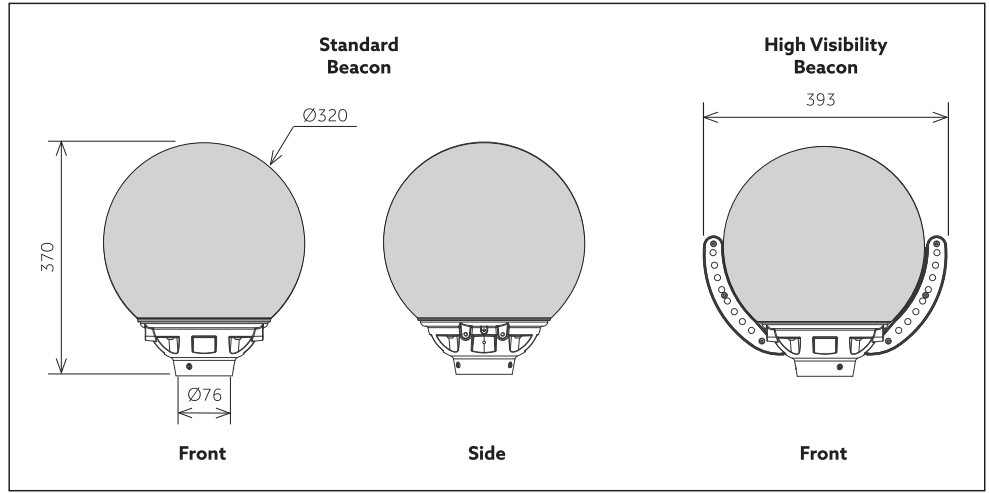
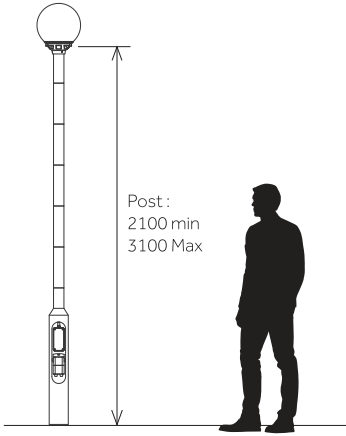


	KG	WINDAGE
Standard Beacon	1.75kg	0.088m ²
Hi-Viz Beacon	2.5kg	0.104m ²



- Disconnect Beacon from the supply when conducting in-situ insulation resistance testing.
- If the external flexible cable or cord of this beacon is damaged, it shall be exclusively replaced by the manufacturer or his service agent or a similar qualified person in order to avoid a hazard.
- The light source (LED's) contained in this beacon shall only be replaced by the manufacturer or his service agent or a similar qualified person.

SAFETY FIRST

Isolate the electrical supply before commencing any installation or maintenance work. Wiring should be carried out in accordance with the latest IEE regulations by suitably qualified engineers.

This equipment is designed for 24 volt AC operation.

TOOLS REQUIRED

- 5mm Allen Key
- Philips Screwdriver
- 7mm Drill

1

Traffic Flow

Drill a 7mm hole 42mm down from the top of the post and at 90° to the traffic flow.

Alternatively take the assembled beacon and identify the dog point socket set screw. Place the beacon on top of the post and align to the traffic flow. Tighten the dog point screw in order to mark the post.

Remove the beacon and drill a 7mm hole in the marked location.

2

Take the beacon assembly and pass the pre-wired cable down the post and pull it through into the base compartment.

Place the beacon on top of the post and tighten the 3 socket set screws. One of the screws has a dog point which should engage in the drilled hole to prevent rotation.

3

Move to the base compartment and fix the beacon transformer onto the column board using the screw provided.

Connect the beacon supply cable to the power supply using the supplied connector. Coil and secure any excess cable neatly in the base housing.

Connect the transformer input cable to the incoming power supply at the fused cut-out.

4

Re-connect the electric supply and replace the base door. Check that the beacon operates correctly.

Synchronising Beacons.
Several beacons may be synchronised by powering up at the same time or timing the powering of one beacon to match the other.*

Hi-Viz Beacon
The intensity of the Bee Seen Hi-Viz beacon is factory set to medium power. Please see over for instructions on how to adjust the brightness should this be required.

*Dependent upon mains quality

BEE SEEN HI-VIZ BEACON BRIGHTNESS ADJUSTMENT

The Bee Seen Hi-Viz beacon has an adjustable array brightness which is independent between front and back. Follow the steps below to access the controls and make the adjustment.

SAFETY FIRST

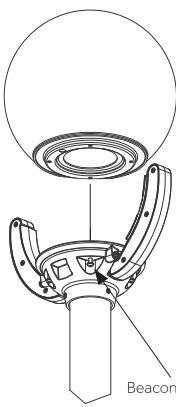
Isolate the electrical supply before commencing any installation or maintenance work. Wiring should be carried out in accordance with the latest IEE regulations by suitably qualified engineers.

This equipment is designed for 24 volt AC operation.

TOOLS REQUIRED

- 4mm Allen key
- Small terminal screwdriver.
- Philips screwdriver (shroud fixings).

1




The first step is to remove the beacon globe which will reveal the brightness adjustment controls.

To do this, locate the four Beacon fixing screws which should be loosened with the 4mm Allen key.

When loosened fully, lift off the beacon globe. The screws are retained in the beacon gallery.

2



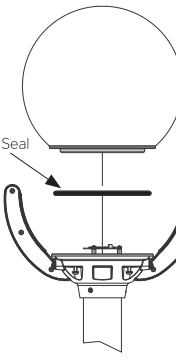
Identify the control board in the base of the beacon gallery and locate the array adjustment controls. There are two controls offering 8 levels of adjustment to the front and back projection. Note the arrows indicate which side of the beacon will be adjusted by each control.

The table below shows the level brightness for each setting.

Rotate the control with a small flat screwdriver to the desired setting.

The setting can be checked visually before replacing the beacon globe by temporarily powering up the beacon. Take care to protect the eyes when performing the check.

3



Replace the beacon globe onto the gallery with the moulding seam running from side to side. Check that the sealing 'O' ring has not been dislodged and reposition in its groove if required.

Re-tighten the four globe fixing screws to secure the globe in place.

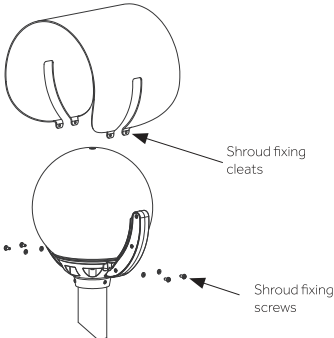
Re-connect the electric supply and replace the base door. Check that the beacon operates correctly.

BRIGHTNESS LEVEL SETTINGS

LEVEL	Output Brightness (cd/m ²)	
	DAY	NIGHT
0	2500	700
1	3150	700
2	3800	700
3	4450	700
4	5100	700
5	6000	700
6	8000	700

BEE SEEN BEACON SHROUD FIXING

The optional beacon shroud prevents light from the beacon disturbing adjacent properties. The shroud can be fitted at any time using a shroud fixing kit. When ordering a shroud kit, please specify which type is required - Standard Beacon or High Viz Beacon.




Unpack the shroud kit and check you have the correct version for the host beacon.


Unscrew and retain the four shroud fixing screws and washers which are supplied fitted to each side of the beacon gallery.

Spring the shroud over the beacon and align the holes in the shroud fixing cleats with the threaded holes in the gallery.

Finally re-fit the four screws and washers, securing the shroud to the gallery.



Standard Beacon Shroud



Hi-Viz Beacon Shroud